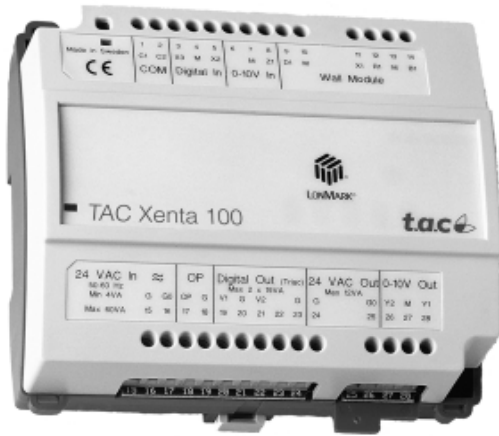




TAC Xenta[®] 102-B

VAV Controller

5 Sep 2002



TAC Xenta[®] 102-B is a zone controller VAV cooling applications. It is possible to switch between the heating and cooling via the network.

The controller keeps a constant temperature in the zone by controlling the airflow with the aid of a Belimo[®] VAV Compact. It is also possible to limit the airflow. By using a carbon dioxide sensor, the air quality can be controlled in the zone.

The controller is a LonMark[®]-compliant device that communicates on a LonTalk[®] TP/FT-10 network via a twisted-pair, unpolarized cable. It is able to operate both as a stand-alone unit and as part of a system. All network variables can be monitored and configured via the TAC Xenta OP, if the OP version is 3.11 or higher.

ZS 100 is a range of wall modules intended to be used with TAC Xenta 102.

There are plug-in terminal blocks available for the TAC Xenta 100 series that can be attached to the existing terminals.

TECHNICAL DATA

Supply voltage 24 V AC -10% +20%, 50-60 Hz

Power consumption:

Controller with TAC Xenta OP 4 VA

Actuator supply max. 12 VA

Total max. 16 VA

Ambient temperature:

Operation 0 to 50 °C (32 to 122 °F)

Storage -20 to 50 °C (-4 to 122 °F)

Humidity max. 90% RH, non-condensing

Enclosure:

Material ABS/PC plastic

Enclosure rating IP 30

Color grey/red

Dimensions 122 x 126 x 50 mm (4.8 x 5 x 2 in)

Weight 0.4 kg (0.88 lbs)

Inputs for occupancy sensor and window contact, X2-X3:

Voltage across open contact 23 V DC ± 1 V DC

Current through closed contact 4 mA

Minimum pulse input duration X2/X3 250 ms / 15 s

Input for bypass button on wall module, X1:

Minimum pulse input duration 250 ms

Maximum current, LED 2 mA, for ZS 100 series

Input for zone temperature sensor, B1:

Thermistor type NTC, 1800 Ω at 25 °C (77 °F)

Measuring range -10 to 50 °C (14 to 122 °F)

Accuracy ±0.2 °C (±0.36 °F)

Inputs for air flow and carbon dioxide sensor, Z1-Z2:

Measuring range 0-10 V DC

Accuracy ±0.05 V

Input setpoint adjustment on wall module, R1:

Type 10 kΩ linear potentiometer

Adjustment range ±5 °C (±9 °F)

Accuracy ±0.1 °C (±0.18 °F)

Output for air flow controller, Y1:

Output range 0-10 V DC

Maximum current 2 mA

Accuracy ±0.2 V

Application program:

Cycle time 15 s

Indication LED colors:

Power green

Service red

Interoperability:

Standard conforms to
LONMARK Interoperability Guidelines and
LONMARK Functional Profile: VAV Controller

Communication protocol LON-TALK

Physical channel TP/FT-10, 78 kbps

Neuron type 3150[®], 10 MHz

Conformance to standards:

Emission C-Tick, FCC Part 15, EN 50081-1

Immunity EN 50082-1

Safety:

CE EN 61010-1

UL 916 Energy Management Equipment

ETL listing UL 3111-1, first edition
CAN/CSA C22.2 No. 1010.1-92

Flammability class, materials UL 94 V-0

Part number, TAC Xenta 102-B:

Controller 0-073-0531

Manual (GB) 0-004-7516

Plug-in Terminal Blocks TAC Xenta 100 0-073-0914



APPLICATION EXAMPLE

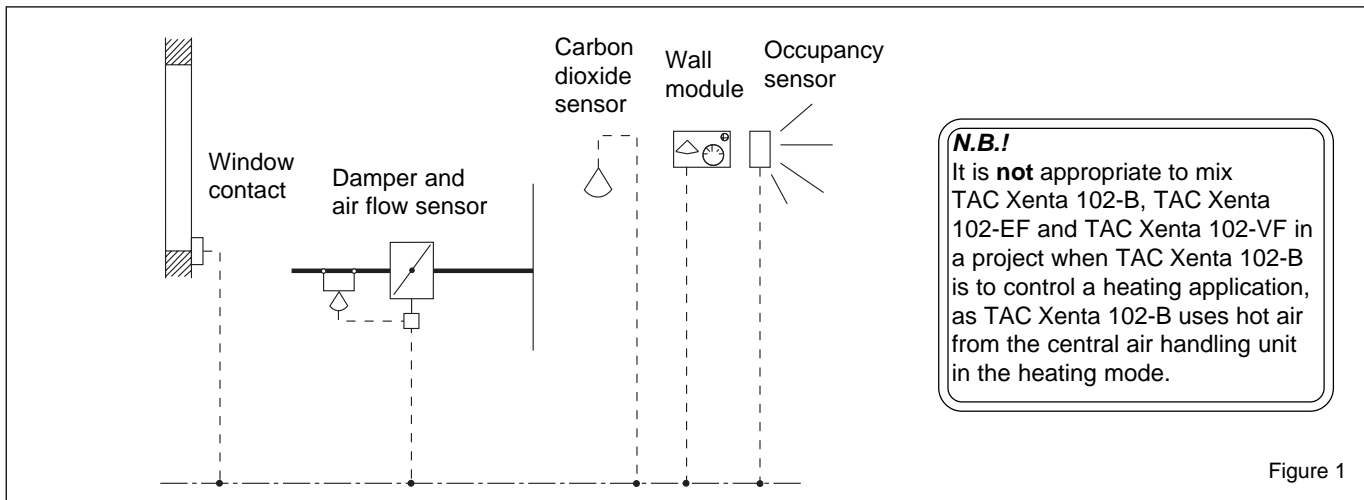


Figure 1

FUNCTIONS

The function of TAC Xenta 102-B is determined by the occupancy mode, the application mode, the emergency mode, the manual mode and the node state.

Normally, the controller has cooling control only. The air flow increases when the cooling demand increases (see figure 2). With a network variable, the control sequence can be changed to heating; in this case, the air flow increases and provides heated supply air.

Air quality control

In order to maintain the air quality, the controller selects the highest of three air flow values: the air flow ordered from the cooling sequence, the air quality control or the set minimum position for the damper. At a high carbon dioxide concentration, the air flow is set from the air quality control (see figure 3); at other times, it is set by the temperature control sequence. The air quality control is enabled in the occupied and bypass modes.

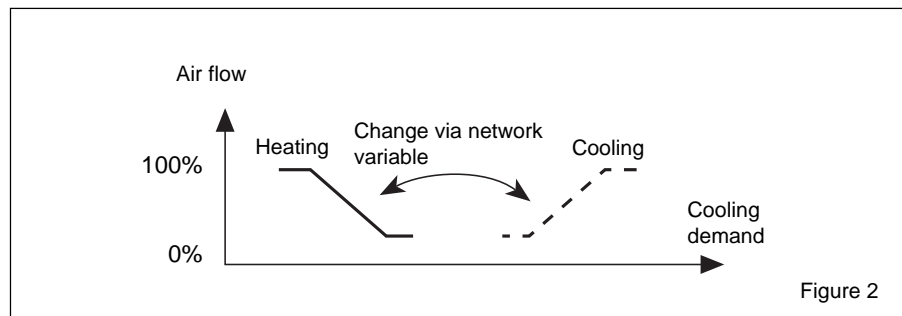


Figure 2

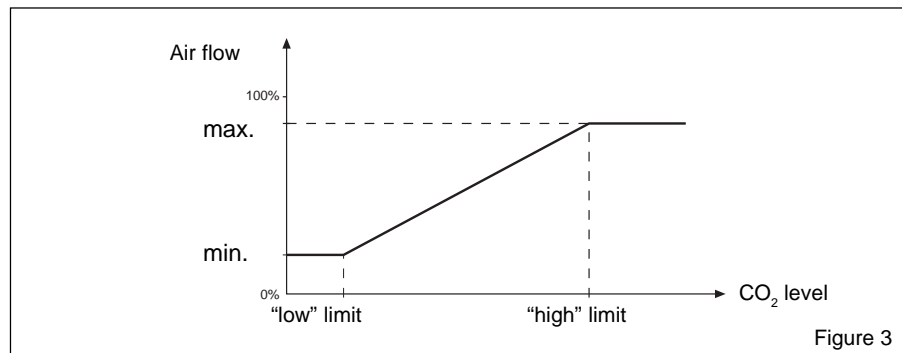


Figure 3

OPERATING MODES

Occupied mode

Occupied mode is used when the zone is occupied. This mode is also the default mode after a reset or a power up.

Standby mode

The standby mode reduces energy consumption when enabled. Standby setpoints for heating or cooling are used, and the air flow is diminished from "minimum occupied air flow" to "minimum standby air flow".

Bypass mode

To bypass the centrally set standby mode, press the bypass button on the wall module. The controller starts running in occupied mode. When two hours have passed, the controller reverts to standby mode again.

Unoccupied and off modes

The controller stops running when the unoccupied or off mode is centrally ordered, when a window is opened or slave mode is enabled. The damper is fully closed.

Slave mode

The following occurs when the network variable *nciAppOptions* enables the slave mode:

The slave controller goes into off mode and receives copies of output signals from the master controller. In slave mode, both the slave and master controllers must be equipped with identical auxiliary units.

HARDWARE INTERFACE

No.	Designation	Description	No.	Designation	Description
1	C1	TP/FT-10 communication channel	15	G	24 V AC (G) input
2	C2	TP/FT-10 communication channel	16	G0	24 V AC (G0) input
3	X3	Input, window contact	17	OP	24 V AC supply for TAC Xenta OP
4	M	Measurement neutral	18	G	24 V AC supply for TAC Xenta OP
5	X2	Input, occupancy sensor	19	—	Not used
6	Z2	Input, carbon dioxide sensor	20	G	24 V AC (G) output
7	M	Measurement neutral	21	G0	24 V AC (G0) output
8	Z1	Input, air flow	22	—	Not used
9	D1	Output, indication on wall module	23	M	Measurement neutral
10	M	Measurement neutral	24	Y1	Air flow controller setpoint
11	X1	Input, bypass button on wall module	25	—	Not used
12	R1	Input, setpoint offset dial on wall module	26	—	Not used
13	M	Measurement neutral	27	—	Not used
14	B1	Input, temperature sensor	28	—	Not used

DIMENSIONS

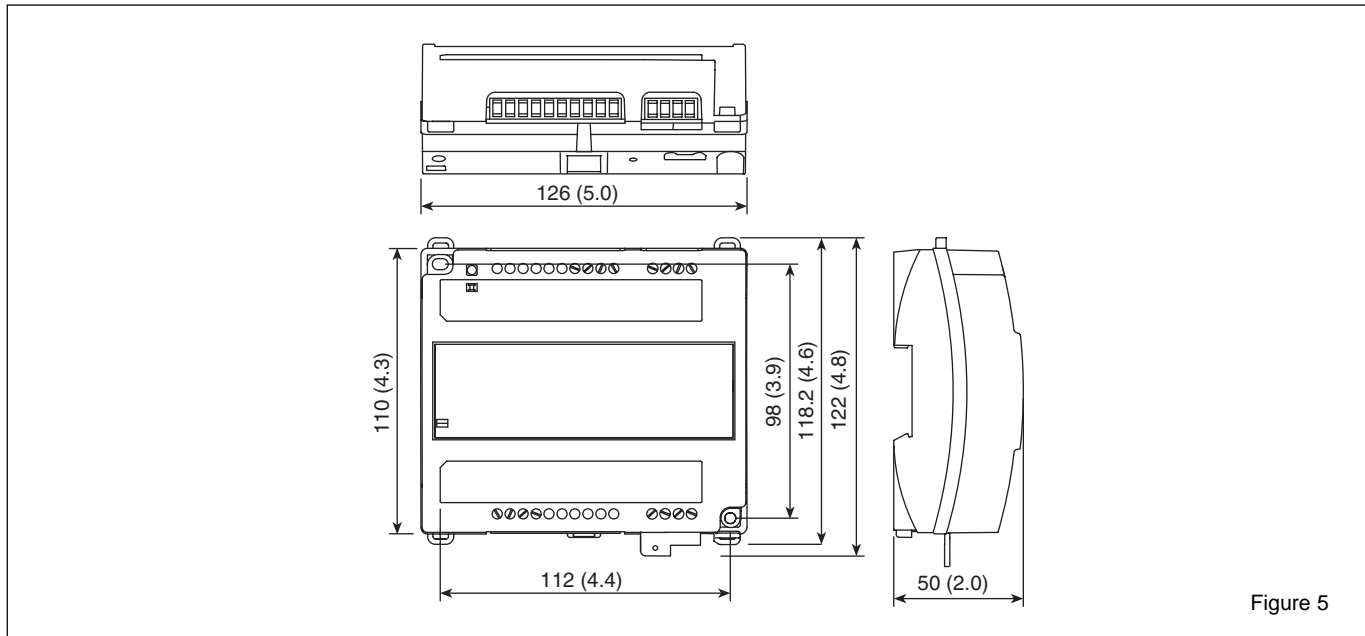


Figure 5

WALL MODULES

Designation	Description	Part number
Sensor Zone ZS 101	Wall module with temperature sensor, mode indication LED and OP connector	0-073-0908
Sensor Zone ZS 102	Wall module with temperature sensor, mode indication LED, setpoint dial and OP connector	0-073-0909
Sensor Zone ZS 103	Wall module with temperature sensor, mode indication LED, bypass button and OP connector	0-073-0910
Sensor Zone ZS 104	Wall module with temperature sensor, mode indication LED, bypass button, setpoint dial and OP connector	0-073-0911

TAC and TAC products are trademarks and/or registered trademarks of TAC AB.
All other trademarks belong to their respective owners. Copyright 2002 © TAC AB. All rights reserved.